



for the best

MEW 731



MADO Automatic Grinders ULTRA MONO

MEW 721, MEW 723, MEW 724, MEW 731, MEW 722

MADO Automatic Grinders

Reliable quality systems for high performance

With Capacities from 1.000 kg/h – 3.000 kg/h

Optimal work results and excellent product quality!

No challenge is too big and no standard is too high. MADO automatic grinders realize production solutions in all areas of butchery trade. Fully developed technology, combined with first - class materials and excellent processing, guarantee optimal work results in every phase.

MEW 721
Automatic mixer grinder
Size of cutting set
Unger B 98 / D 114
Enterprise E 32
Capacity up to approx. 1.200 kg/h
Tray volume approx. 70 liters

MEW 723
Automatic mixer grinder
Size of cutting set
Unger B 98 / D 114 / E 130
Enterprise E 32 / E 52
Capacity up to approx. 1.600 kg/h
Tray volume approx. 120 liters

MEW 724
Automatic mixer grinder
Size of cutting set
Unger D 114, Enterprise E 52
Capacity up to approx. 1.600 kg/h
Tray volume approx. 120 liters
powerful motor, two speeds,
mechanical pusher for worm

MEW 731
Automatic mixer grinder
Size of cutting set
Unger E 130, G 160
Capacity up to approx. 3.000 kg/h
Tray volume approx. 120 liters
Loading device, powerful motor

MEW 722
Automatic grinder
Size of cutting set
Unger E 130
Capacity up to approx. 3.000 kg/h
Tray volume approx. 120 liters
powerful motor, two speeds

MADO automatic grinders for highest requirements

The MADO automatic grinders ULTRA MONO MEW 721, 723, 724, 731 have been developed for being used by butchery with high performance demands and for highest product quality.

Depending on equipment raw materials can be processed down to temperatures of - 5° C.

State of - the - art technology, the self - supporting stainless steel housing as well as the MADO hygiene construction ensure unmatched production results and the highest standard of hygiene. Thanks to the step design of the worm and the optimized worm housing MADO automatic grinders attain without any problems a high capacity in finest quality.

All MADO Automatic Grinders can be easily cleaned with high pressure cleaners and correspond to the EC- machine guidelines for safety and hygiene.

Optional: Separator for sorting out of cartilage, bones and tendons.

SEPARATOR SYSTEM



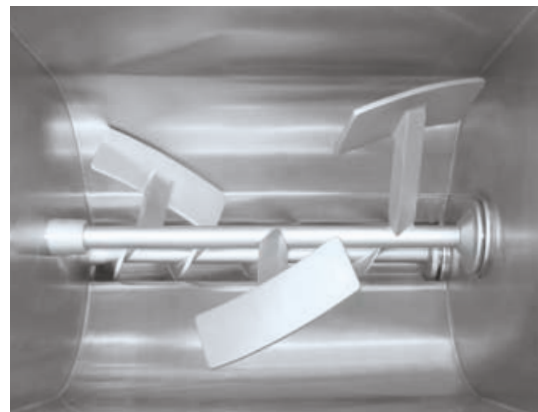
STAINLESS STEEL WORM

Individual solutions for Mixing and Blending

MADO automatic grinders MEW 721, 723, 724, 731 features a mixing unit that achieves exceptional productivity. For optimal processing results in different fields of application the mixing unit is available in the following versions: paddle, mushroom head, Z - arm and chopping paddle.

The mixing intervals can thus be optionally configured and adapted to the individual production needs. The feed and cutting worm can be easily disassembled without having to remove the mixing unit.

MIXING DEVICE



MEW 724

Pressure- and feeding worm

It has been proven by scientific research, that only 10 - 30 % of energy is needed for feeding raw material with grinding worms. The cutting assembly consumes major part of 70 - 90 % of power. This discovery has led to the development of new bipartite MADO worm. The drive element for cutting assembly is made of stainless steel and the "feeder element" is made of very strong plastic, which possesses emergency running properties and fulfills purpose of low abrasive bearing for the worm. In this way, feared heavy metal abrasion is avoided and production safety is guaranteed.

PROCESSING WORM POM



MEW 722

The MADO automatic grinder MEW 722 is available with two different motor performances.

The MEW 722 is designed for demanding butchers and has two speeds for the processing worm and one reverse gear.

MEW 722

Size of cutting set: Unger E 130

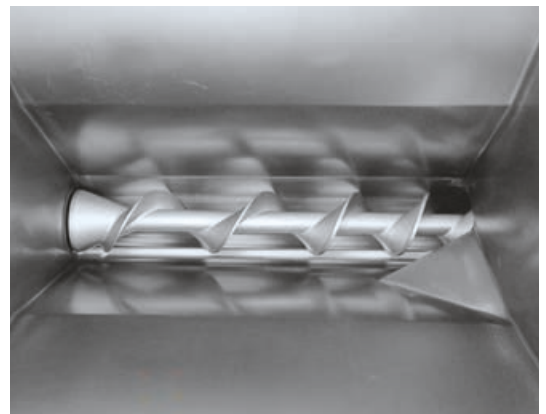
Tray volume: approx. 160 liters

6,5 / 8,0 kW or 7,0 / 11,0 kW

The machine is equipped with a large processing worm, which can easily handle large pieces and also frozen meat. With a hopper volume of 160 liters the MEW 722 achieves effortlessly a very high capacity per hour.

On request the MEW 722 can be delivered with loading device or separator for sorting out of cartilage, bones and tendons.

HOPPER

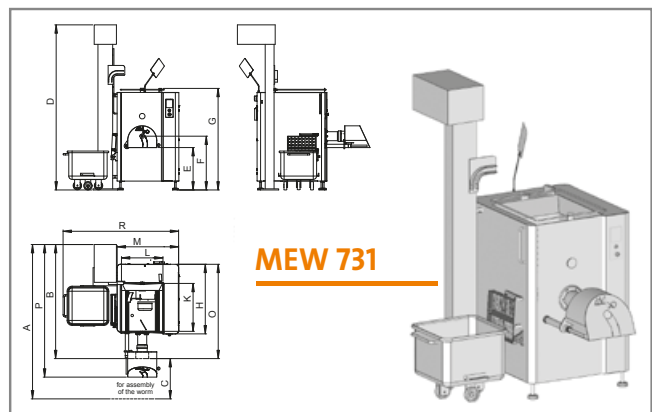
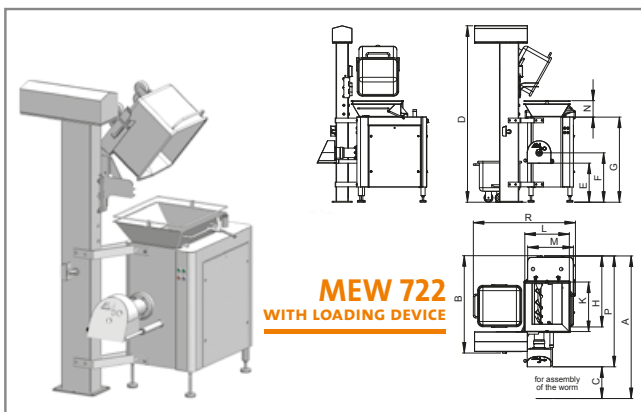
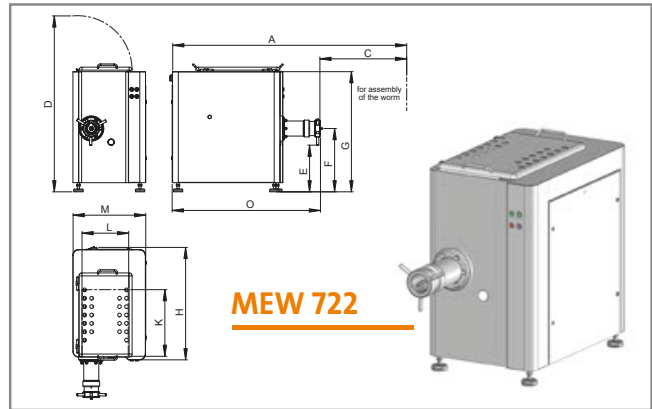
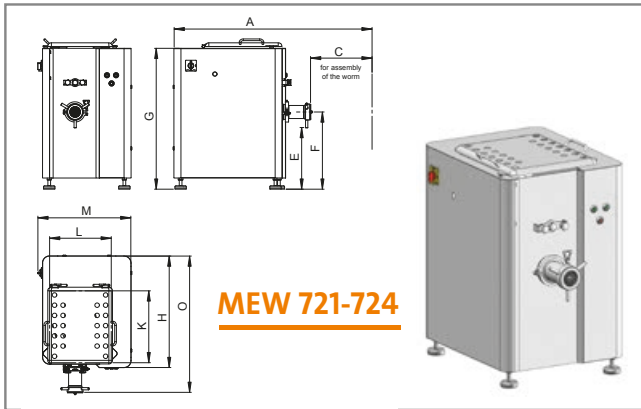


MEW 722

Info



for the best



	MEW 721	MEW 722	with loading device	MEW 723	MEW 724	MEW 731
A	1880 mm	2840 mm	2840 mm	2090 mm	2260 mm	3245 mm
B			1650 mm			2015 mm
C	800 mm	1245 mm	1245 mm	870 mm	950 mm	1230 mm
D		1890 mm	3002 mm			2950 mm
E	560 mm	500 mm	660 mm	540 mm	540 mm	750 mm
F	703 mm	680 mm	840 mm	680 mm	690 mm	955 mm
G	1167 mm	1290 mm	1450 mm	1240 mm	1250 mm	1810 mm
H	835 mm	1210 mm	1210 mm	980 mm	980 mm	1250 mm
K	485 mm	720 mm	840 mm	640 mm	650 mm	870 mm
L	430 mm	530 mm	760 mm	430 mm	430 mm	755 mm
M	810 mm	780 mm	780 mm	810 mm	830 mm	1100 mm
N			280 mm			
O	1070 mm	1595 mm	1595 mm	1220 mm	1300 mm	1650 mm
P			1890 mm			2385 mm
R			1830 mm			2080 mm
Type of current	400 V, 50 Hz 3-phase AC	400 V, 50 Hz 3-phase AC	400 V, 50 Hz 3-phase AC	400 V, 50 Hz 3-phase AC	400 V, 50 Hz 3-phase AC	400 V, 50 Hz 3-phase AC
Capacity	AS 4,0 kW MW 1,1 kW with D114 5,5 kW	AS 6,5/8,0 kW	AS 7,0/11,0 kW	AS 5,5 kW MW 1,1 kW with E130 7,5 kW	AS 5,0/7,5 kW MW 1,1 kW	AS 15,0/19,0 kW MW 1,1 kW
Fuse protection	16 A inert	32 A inert	35 A inert	25 A inert	32 A inert	50 A inert
Revolutions	AS 230 rpm MW 15 rpm	AS 115/230 rpm	AS 115/230 rpm	AS 230 rpm MW 15 rpm	AS 115/230 rpm MW 15 rpm	AS 140/280 rpm MW 15 rpm
Cutting set	Unger B 98 Enterprise E 32 Unger D 114	Unger E 130	Unger U 130	Unger B 98 Enterprise E 32 D 114/E 130/E 52	Unger D 114 Enterprise E 52	Unger E 130 Unger G 160
Option						
Output per hour product specific	ca. 1200 kg/h	ca. 3000 kg/h	ca. 3000 kg/h	ca. 1600 kg/h	ca. 2200 kg/h	ca. 3000 kg/h
Hopper volume	ca. 70 litres	ca. 160 litres	ca. 300 litres	ca. 120 litres	ca. 120 litres	ca. 280 litres
Weight	ca. 325 kg	ca. 450 kg	ca. 750 kg	ca. 350 kg	ca. 400 kg	ca. 1350 kg

Dimensions and Technical Data - Technical alterations are subject to change - This drawing is only a layout and do not complies with our construction drawings - Exact mounting dimensions should be obtained