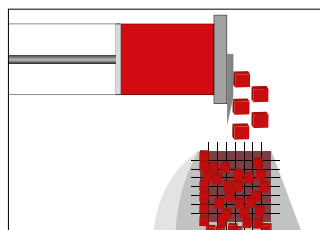


ARGON

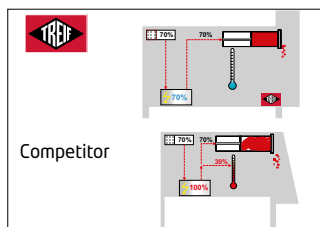
ARGON: The highest-performance dicer of its class

With a cost-effective hourly output of up to 2.0 t (theoretical maximum value), ARGON is the highest-performance machine of its class.

The speed can be individually set by the operator (max. 300 revolutions per minute), so that the cutting output can be precisely aligned with the respective requirements.

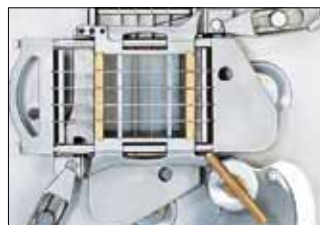


The automatic pre-pressing system (AVS) allow optimum precision shaping of the cubes or strips from the start. It also serves to optimise cycle times through, for example, faster movements in unfilled chamber sections.



Competitor

As a result of the DHS (Dynamic Hydraulic System), the cut products stay fresh longer (the machine generates less heat, so there is less of a chance for bacteria to form).



The drive is synched automatically after the machine is turned on.



The compression lid moves in a curve. This is the only way to enable the convenient one-hand operation and fill the chamber to the maximum level.



A typical task of ARGON: dicing pork into thin stripes.



ARGON is multi-faceted and can even cut products such as cucumbers.



The small distance between the blade and grid-set, the so-called "scissors' cutting principle", is one of the essential prerequisites for achieving excellent cutting results. So-called "goulash chains" are prevented.



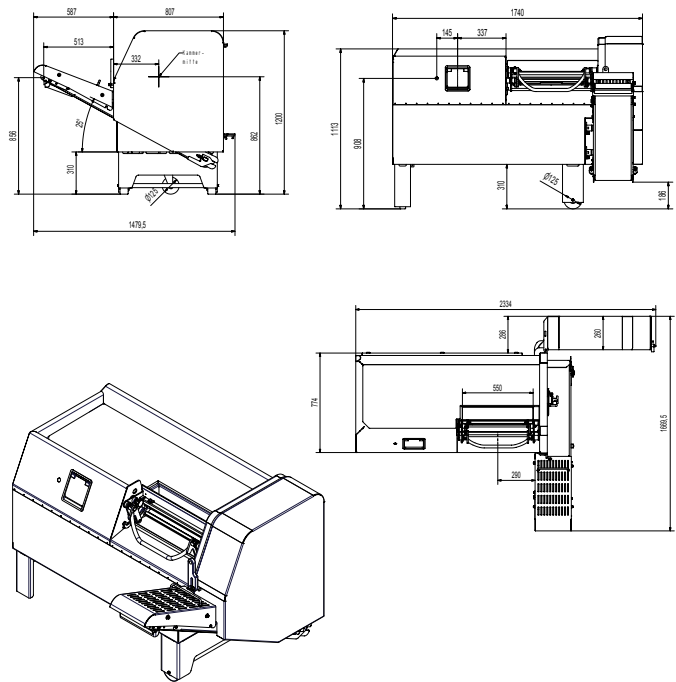
With ARGON even a big amount of meat salad is easily prepared.

More cutting flexibility

When equipped with the optional scale, ARGON stops as soon as the specified weight has been reached. Deviation from target weight is a maximum of +/- 0.3 %.

Technical data:

Max. output t/h (theoretical maximum value)	2.0; 4,410 lbs
Max. cut-off length (mm/inch)	1-50; 1/25"-2"
Housing dimensions (mm/inch)	
Length/Width/Height (mm/inch)	1,740/1,479.5/1,200; 68 1/2" / 58 3/10" / 47 1/5"
Connecting load (kW)	2.0
Gridsets (mm/inch)	4/5/6/8/10/12/14/ 16/20/24/32/48/96; 1/5"; 3/10"; 2/5"; 1/2"; 3/5"; 4/5"; 1"; 1 3/10"; 2"; 3 4/5"
Weight (kg/lb)	approx. 415; 915
Product specific accessories	on request



All measurements in mm.



Different cube sizes are possible due to various gridsets. The smallest cube size is 4 mm.



The special disc is used e.g. for ham plates or sausage stripes.



Other dicing options of the special disc are salami and sausage slices e.g. for preparing stews or for pizza topping.

Your benefits at a glance:

- High cutting output due to the generous cutting chamber size of 550 x 96 x 96 mm / 21 7/10" x 3 4/5" x 3 4/5" (length x width x height)
- Flexibility and top performance thanks to continuous and intermittent cutting options and the ability to individually set the blade speed
- Optimum product compression as a result of the automatic pre-compression system (AVS)
- Ergonomic, one-hand operating system for closing the product loading chamber
- Up to 50 cutting programs
- The DHS system (Dynamic Hydraulic System) reduces the machine's heat load, which saves energy and keeps the product fresh longer, and is proven to reduce the wear and tear on the machine as well.

HEADQUARTERS:

TREIF Maschinenbau GmbH
Toni-Reifenhäuser-Str. 1
D-57641 Oberlahr
Phone +49 2685 944 0
Fax +49 2685 1025
E-Mail: info@treif.com

Further LOCATIONS:

TREIF U.K. Ltd.
Genesis House, Poole Hall Road
Poole Hall Industrial Estate
Ellesmere Port, GB-Cheshire CH66 1ST
Phone: +44 (0) 151 3506100
Fax: +44 (0) 151 3506101
E-Mail: treifuk@treif.com

TREIF USA Inc.
50 Waterview Drive, Suite 130
Shelton, CT 06484
Phone: +1 203 929 9930
Fax: +1 203 929 9949
E-Mail: treifusa@treif.com

Belgium

China

France

Italy

Russia

www.treif.com