



Forage

P-32

Meat mincers with great power allows to mince all meat types



Technical Information

- External body in stainless steel.
- Enterprise aluminium mincing group.
- Removable throat.
- Gears running inside an oil bath.
- Thermally protected electrical motor.
- Hand protection in the meat tray.
- Suitable for mincing all kind of meats.
- Yield: ±425kg/h.
- Three phase motor power: 2,5HP / 1,84Kw.
- Tray dimensions: 310x410x55mm.
- Net Weight: 45kg.

Options

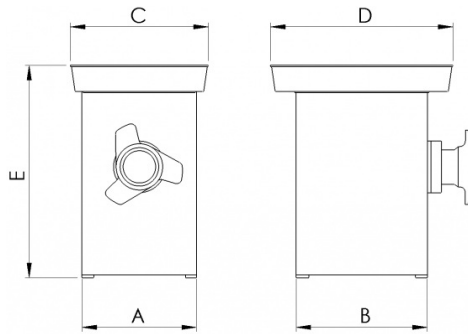
- Enterprise mincing group in stainless steel.
- Unger mincing group in stainless steel.
- Single phase motor power: 2HP / 1,47Kw.





Measures

A	255 mm.
B	295 mm.
C	310 mm.
D	410 mm.
E	490 mm.



Enterprise



Unger

