



for the best

MTK 661/662



MADO Bowl Choppers GARANT

MTK 661 / 662, MSK 760

MADO Bowl Choppers GARANT

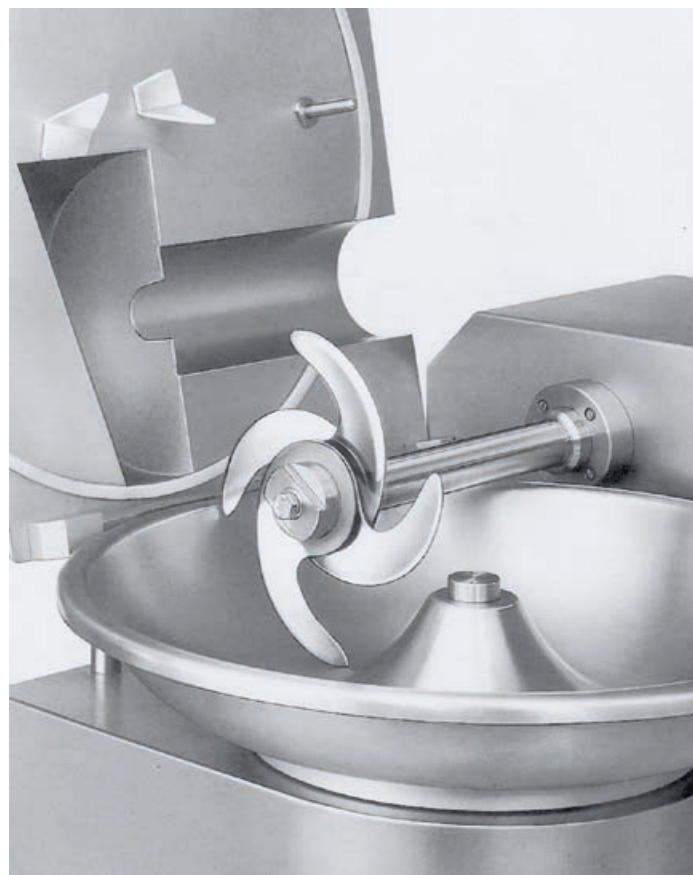
GARANT 13, 20 and 35 liter Bowl choppers for supermarkets, canteen kitchens, direct marketers and laboratories.

The bowl choppers of the production series GARANT are the right helpers when it comes to producing sausages and pâtés or cutting herbs and vegetables.

As option a thermometer which displays the sausage meat temperature can also be supplied for the GARANT 35. The 13- and 20- liters variants can be equipped with a mobile frame and thermometer on request.

The knife shaft is driven by v-belts. The gear mechanism for the cutting bowl is maintenance-free. The motor is equipped with overload protection.

DETAILS COVER, KNIFE HEAD, BOWL

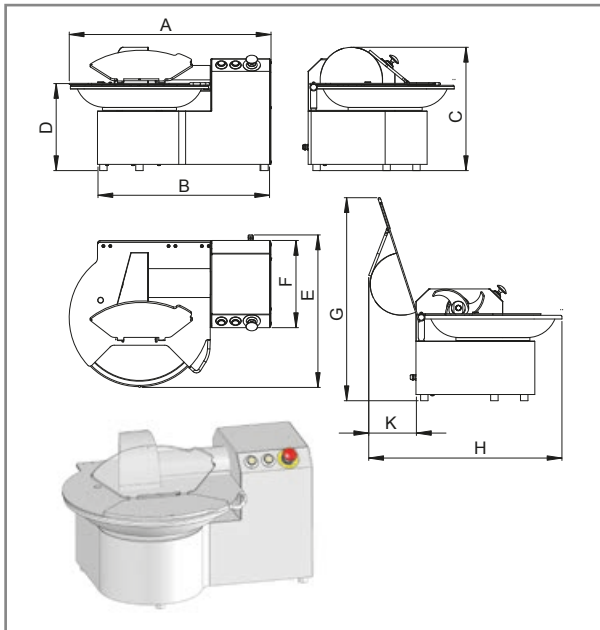


The completely removable knife head and the machine housing, made of stainless steel are further advantages for stable value of the machine.

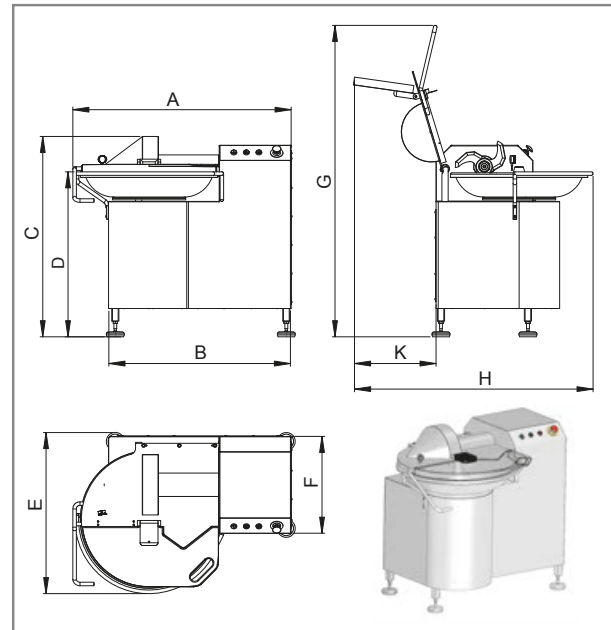
MSK 760



MTK 661-662



MSK 760



	MTK 661	MTK 662	MSK 760 H I	MSK 760 H II
A	820 mm	930 mm	1230 mm	1230 mm
B	710 mm	800 mm	1030 mm	1030 mm
C	455 mm	510 mm	1075 mm	1075 mm
D	350 mm	380 mm	920 mm	920 mm
E	620 mm	650 mm	900 mm	900 mm
F	355 mm	390 mm	545 mm	545 mm
G cover	855 mm	940 mm	1730 mm	1730 mm
H cover	790 mm	880 mm	1200 mm	1200 mm
K	195 mm	230 mm	320 mm	320 mm
Bowl-Ø	Ø 560 mm	Ø 630 mm	Ø 767 mm	Ø 767 mm
Type of current	400 V, 50 Hz	400 V, 50 Hz	400 V, 50 Hz	400 V, 50 Hz
Capacity- knife shaft	2,1/2,8 kW	3,4/4,2 kW	6,8/8,0 kW	9,5/11,0 kW
Fuse protection	16 A inert	16 A inert	25 A inert	32 A träge
Knife head	3es	4es	3es	6er
Knife shaft revolutions / cuts	1400/2800 rpm	1400/2800 rpm	1600/3200 rpm	1800/3600 rpm
Bowl revolutions	12/24 rpm	12/24 rpm	12/24 rpm	12/24 rpm
Bowl capacity	ca. 13 litres	ca. 20 litres	ca. 35 litres	ca. 35 Liter
Weight	ca. 110 kg	ca. 147 kg	ca. 420 kg	ca. 420 kg

Dimensions and Technical Data - Technical alterations are subject to change - This drawing is only a layout and do not complies with our construction drawings - Exact mounting dimensions should be obtained